

## KEY FEATURES

- To be used with Mirage MR and MRY milling rails of up to 3000mm (118") length
- Modular jointing system to extend up to 10m
- Linear rail and precision carriages
- Quick set up with jacking system
- Auto and manual feed
- Optional quick-set magnets for mounting
- Manual and auto-feed available in either pneumatic or hydraulic

## DESCRIPTION

The GMRF Gantry System is a modular linear rail kit to convert Mirage 2 axis milling rails to a large 3 axis milling equipment with a large working area. The Y-axis is determined by the length of the milling rail used and the X-axis by the number of extension rails used.

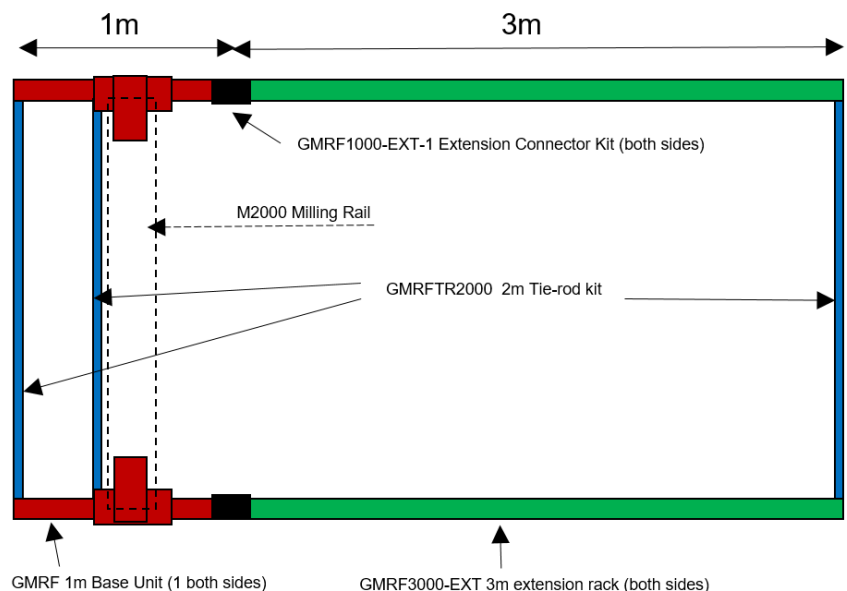
## APPLICATIONS

Typical uses include; machining pump and motor pads, steel mill stands, ship building applications, and machining turbine split lines.

## CONFIGURE YOUR GANTRY

1. Identify milling rail stroke required from 1000mm, 1500mm, 2000mm, and 3000mm.
2. Choose GMRF Base Kit and select either pneumatic, hydraulic or manual feed.
3. Choose tie-rod size to suit milling rail length
4. Choose extension configuration to suit your projects, including the number of extension connector kits required.
5. Consider optional accessories required such as quick-set mounting magnets.

### EXAMPLE GANTRY CONFIGURATION 2000MM X 4000MM

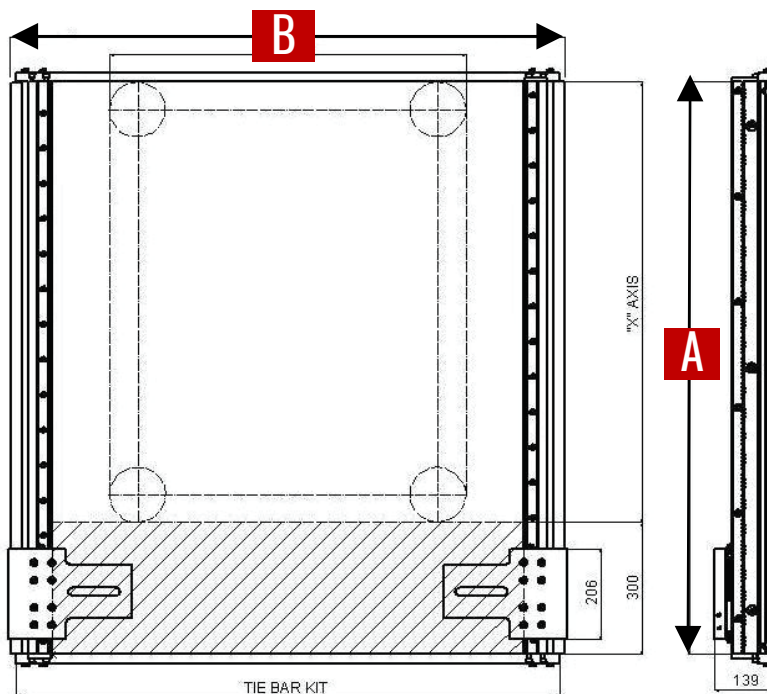


## Extension Configurations (X-axis)

| Stroke Required | Base Kit Required | Recommended Extension Kits                             | Dimension A |        |
|-----------------|-------------------|--|-------------|--------|
|                 |                   |  | mm          | Inches |
| 1000mm          | 1 x GMRF Base Kit | -  | 1300        | 51"    |
| 2000mm          | 1 x GMRF Base Kit | 1 x 1000mm extension kit                               | 2298        | 90"    |
| 3000mm          | 1 x GMRF Base Kit | 1 x 2000mm extension kit                               | 3295        | 129"   |
| 4000mm          | 1 x GMRF Base Kit | 1 x 3000mm extension kit                               | 4292        | 168"   |
| 5000mm          | 1 x GMRF Base Kit | 2 x 2000mm extension kits                              | 5290        | 208"   |
| 6000mm          | 1 x GMRF Base Kit | 1 x 2000mm extension kit and 1 x 3000mm extension kits | 6287        | 247"   |
| 7000mm          | 1 x GMRF Base Kit | 2 x 3000mm extension kits                              | 7284        | 286"   |
| 8000mm          | 1 x GMRF Base Kit | 2 x 2000mm extension kits and 1 x 3000mm extension kit | 8282        | 326"   |
| 9000mm          | 1 x GMRF Base Kit | 4 x 2000mm extension kits                              | 9280        | 365"   |
| 10000mm         | 1 x GMRF Base Kit | 3 x 3000mm extension kits                              | 10276       | 404"   |

## Milling Rail Lengths (Y-axis)

| Name   | Stroke (mm) | Stroke (inches) | Base Kit Required | Tie-rod Kit Required | Dimension B (Overall Width) |      |
|--------|-------------|-----------------|-------------------|----------------------|-----------------------------|------|
| MR1000 | 1000mm      | 39"             | GMRF1000          | GMRFTR2000           | 1420mm                      | 56"  |
| MR1500 | 1500mm      | 59"             | GMRF1000          | GMRFTR1500           | 1920mm                      | 76"  |
| MR2000 | 2000mm      | 79"             | GMRF1000          | GMRFTR2000           | 2420mm                      | 95"  |
| MR3000 | 3000mm      | 118"            | GMRF1000          | GMRFTR3000           | 3420mm                      | 135" |



## INCLUDED AS STANDARD

| Product                              | Items Supplied as Standard   |
|--------------------------------------|--|
| GMRF1000H (Hydraulic)<br>Base Unit   | 2 off linear rails and blocks, sub frame, rack feed, gear box, carriage and auto feed gearbox and motor, mounting plates, manual, tool kit, CE certification. Shipping and storage box. Hose connection.                           |
| GMRF1000A (Pneumatic)<br>Base Unit   | 2 off linear rails and blocks, sub frame, rack feed, gear box, carriage and auto feed gearbox and motor, mounting plates, manual, tool kit, CE certification. Shipping and storage box. Air filter lubricator and hose connection. |
| GMRF1000M (Manual Feed)<br>Base Unit | 2 off linear rails and blocks, sub frame, rack feed, gear box, carriage and manual feed, mounting plates, manual, tool kit, CE certification. Shipping and storage box.  |
| GMRF EXTENSION KITS                  | 2 off linear rails and blocks, sub frame, mounting & jointing plates, sub frame jointing sections and clamp, shipping and storage box.   |

## EXTENSION KITS (X AXIS) SHIPPING WEIGHTS AND DIMENSIONS

| Stroke | Dimensions – L x W x H |   | Shipping Weights |         |
|--------|------------------------|---|------------------|---------|
| 1000   | 40"                    | 150cm (60") x 50cm (20") x 30cm (12")   | 142 kg           | 312 lb  |
| 2000   | 80"                    | 150cm (60") x 50cm (20") x 60cm (24")   | 284 kg           | 625 lb  |
| 3000   | 120"                   | 250cm (98")x 50cm (20") x 60cm (24")    | 393 kg           | 865 lb  |
| 4000   | 157"                   | 350cm (138") x 50cm (20") x 60cm (24")  | 502 kg           | 1104 lb |
| 5000   | 197"                   | 250cm (98") x 100cm (40") x 60cm (24")  | 644 kg           | 1417 lb |
| 6000   | 236"                   | 350cm (138") x 100m (40") x 50cm (24")  | 753 kg           | 1657 lb |
| 7000   | 275"                   | 350cm (138") x 100cm (40") x 60cm (24") | 862 kg           | 1896 lb |
| 8000   | 315"                   | 350cm (138") x 50cm (20") x 60cm (24")  | 1004 kg          | 2209 lb |
| 9000   | 354"                   | 350cm (138") x 150cm (60") x 60cm (24") | 1146 kg          | 2521 lb |
| 10000  | 394"                   | 350cm (138") x 150cm (60") x 60cm (24") | 1222 kg          | 2688 lb |

## MILLING RAIL (Y AXIS) SHIPPING WEIGHTS AND DIMENSIONS

| Machine | Stroke |      | Dimensions                             | Shipping Weights  |
|---------|--------|------|--|-------------------|
| MR1000  | 1000mm | 39"  | 280cm (110") x 68cm (27") x 56cm (22") | 295kg (650 lbs)   |
| MR1500  | 1500mm | 59"  | 280cm (110") x 68cm (27") x 56cm (22") | 380kg (838 lbs)   |
| MR2000  | 2000mm | 79"  | 280cm (110") x 68cm (27") x 56cm (22") | 470kg (1036 lbs)  |
| MR3000  | 3000mm | 118" | 385cm (152") x 68cm (27") x 56cm (22") | 508 kg (1120 lbs) |

All weights and dimensions approximate for guidance only and dependant upon options and additional items chosen.